

Compact SCR solution

Fit in all engine rooms

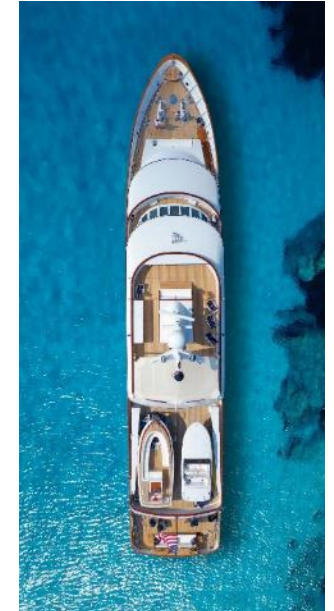
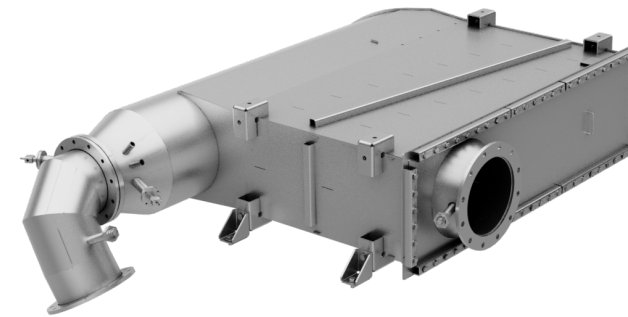
benefits

- The most compact Tier II/Tier III switchable SCR in the market
- IMO TIER III certified product - adaptable to TIER II engines
- Reliable, robust & flexible, switchable outside ECA Zone
- Global Service
- Scalable and validated from 600kW up to 2000kW engine power

technical description

- **New in-house catalyst development:** optimized performances (lower back pressure, mechanical stability)
- **CFD internal studies to ensure:** homogeneous distribution, NH3 slip control, deposit proven design for any systems arrangement
- **Optimized steel thickness** to minimize weight
- **External piping highly flexible**
- **One inlet and several outlet positions**

Customized options available



applications

- For yacht below 500GT
- Displacement or planning hull
- Possible to add a silencer
- Covers multiple engine brands

Innovation

RFQ ready

In production

certification



Compliant

Type approved
by members of

